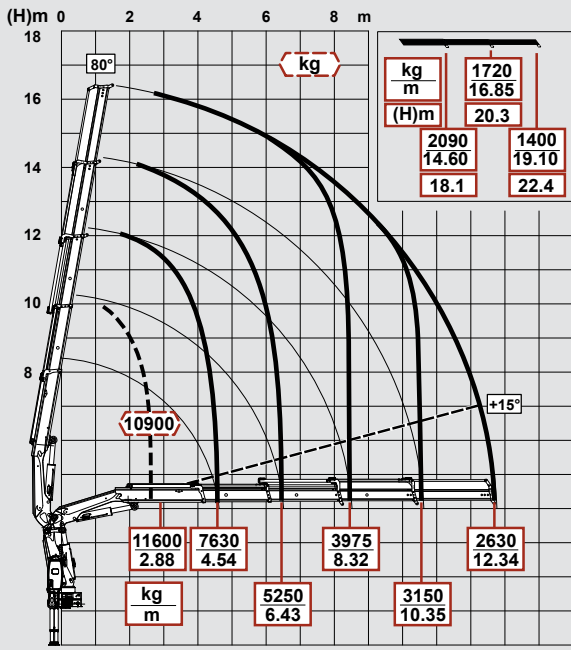
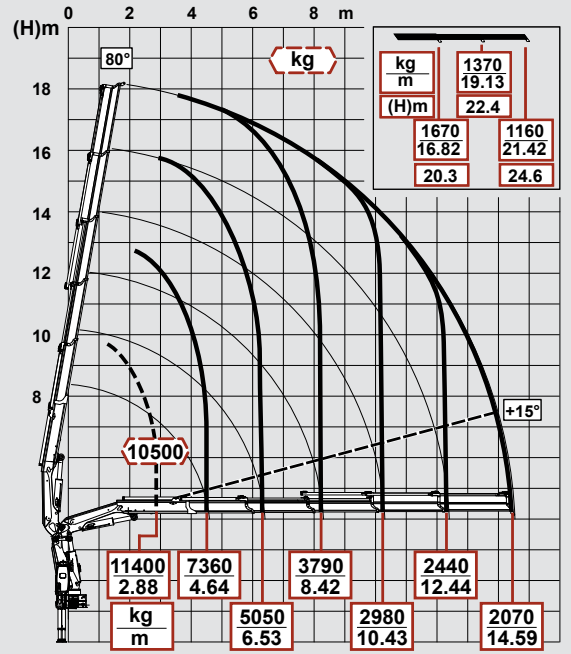


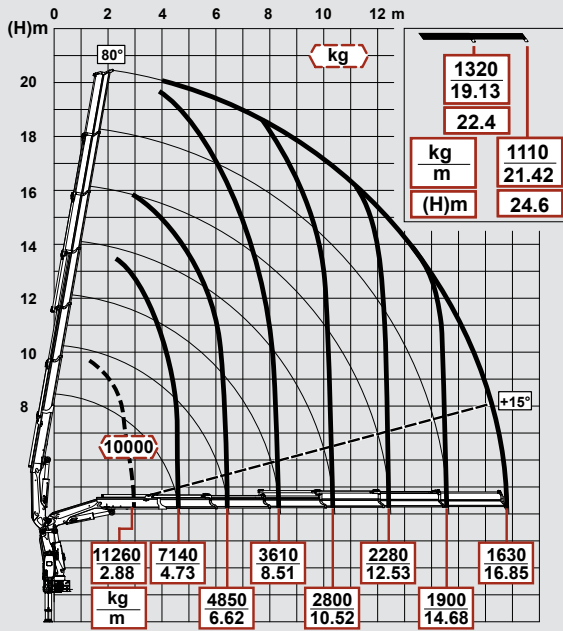
395 - 4S



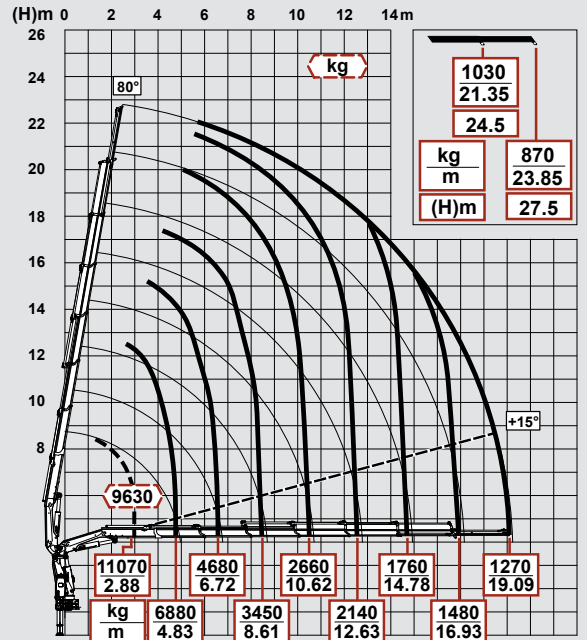
395 - 5S



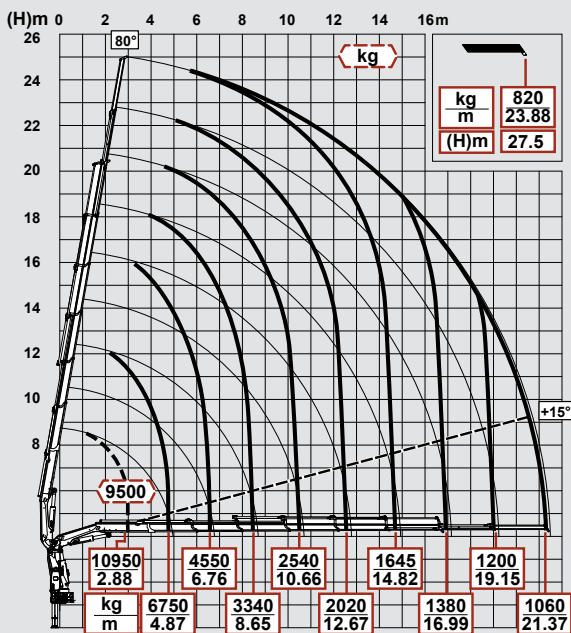
395 - 6S



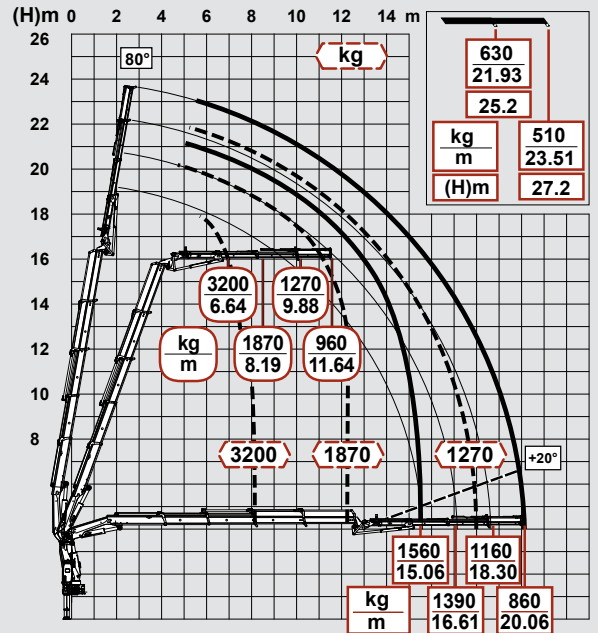
395 - 7S



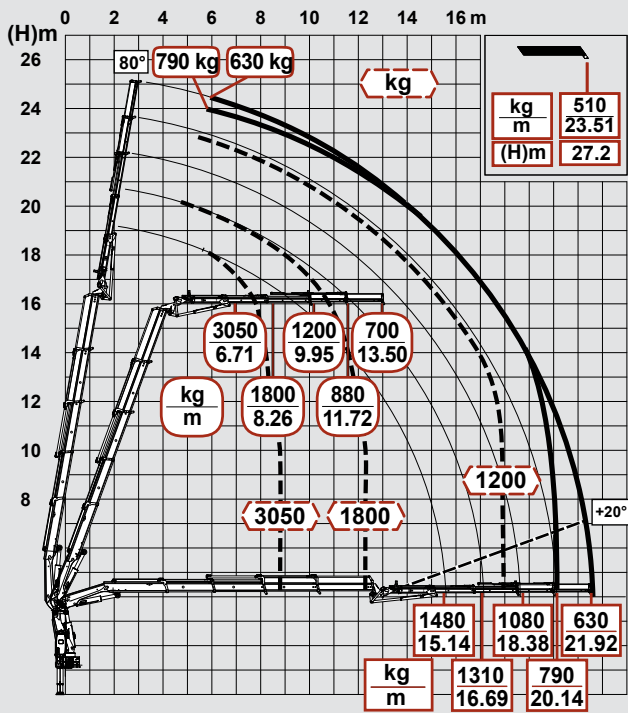
395 - 8S



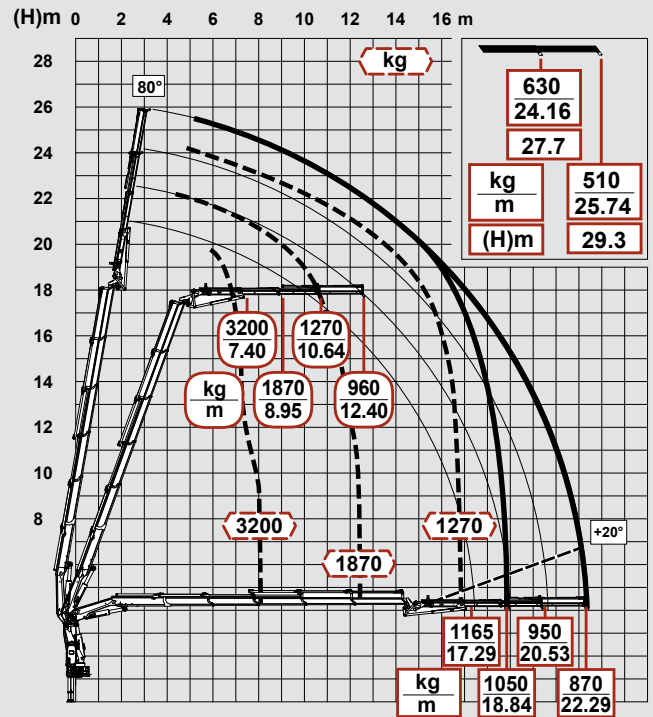
395 - 4S+JIB 3S



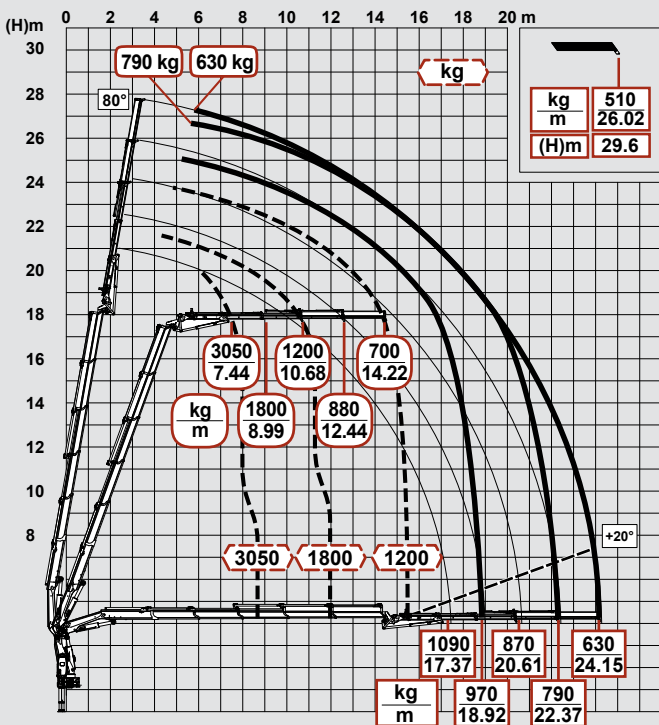
395 - 4S+JIB 4S



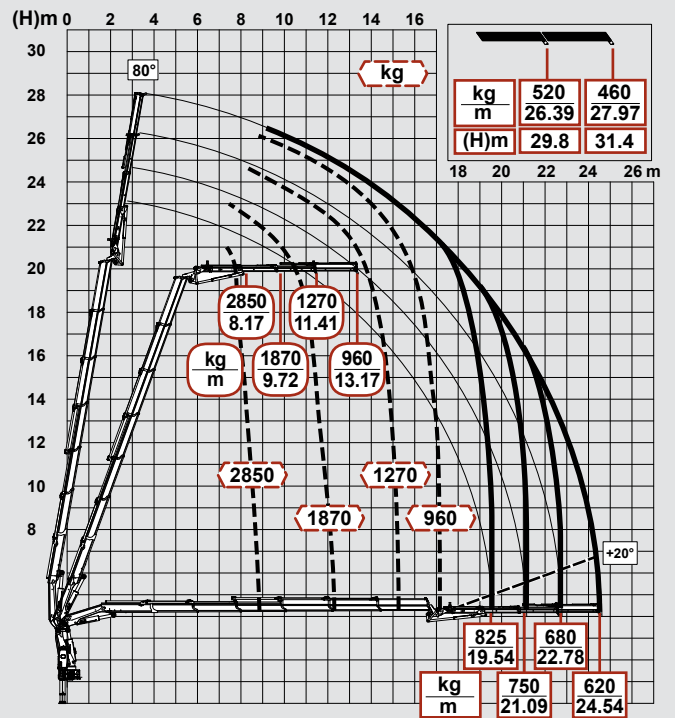
395 - 5S+JIB 3S



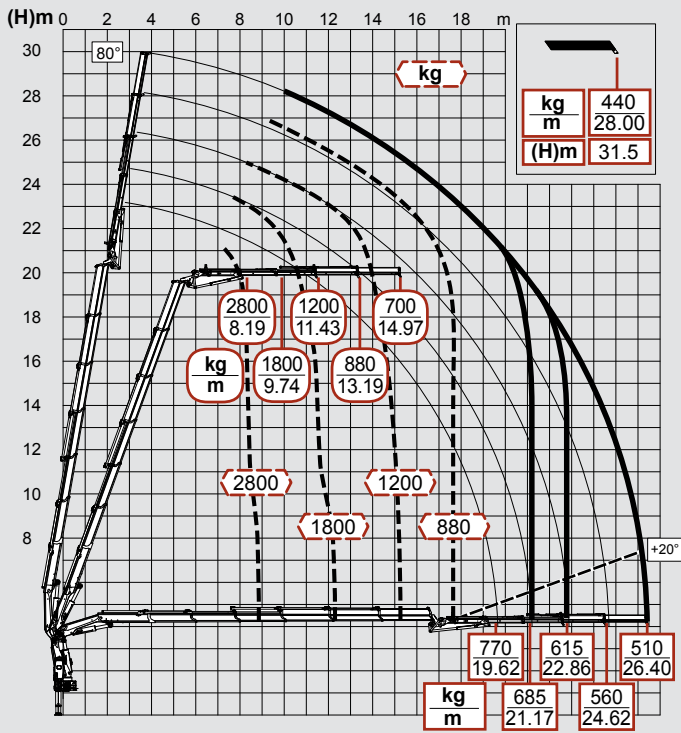
395 - 5S+JIB 4S



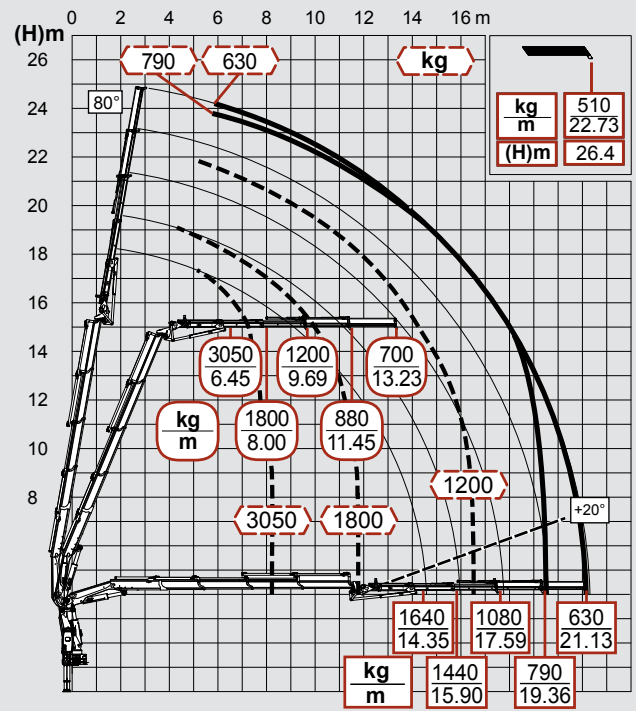
395 - 6S+JIB 3S



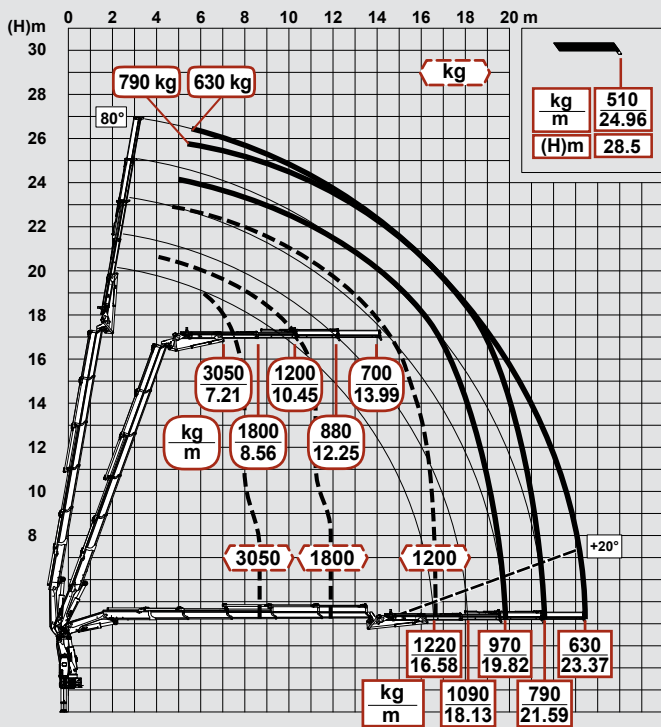
395 - 6S+JIB 4S



395 - C 4S+JIB 4S



395 - C 5S+JIB 4S



395 - C 6S+JIB 4S

